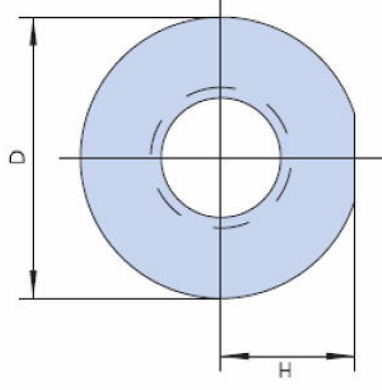
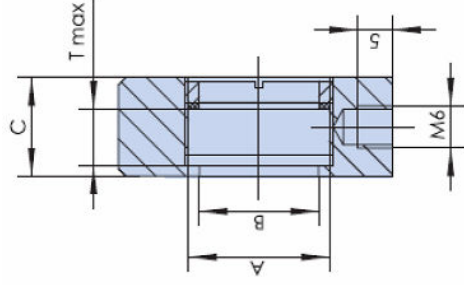


WN01LH60



WN01SP75



型号	WN01LH50	WN01LH60	WN01LH76
A	50	60	76
B	45	55	71
C	18	22	22
D	70	80	100
H	34	39	49
T	12	16	16

产品特点:

型号	WN01SP50	WN01SP75
直径	12 mm	
L	50	75
H	15	25
自重	0.05 kg	0.075 kg

